
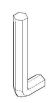
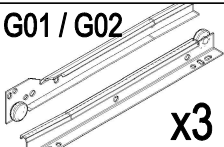

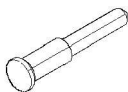






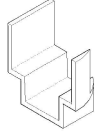
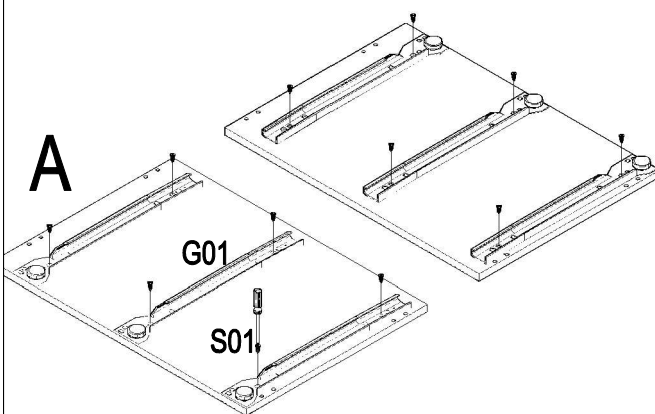


NR.97

 3.5x16 S01 x52	 D01 x1	 G01 / G02 x3	 M4X22 S11 x6	 S02 x12	 P01 x4
 M01 x3	 C01 x16	 3.5x50 S03 x4	 C10 x12	 C11 x12	 CL x2

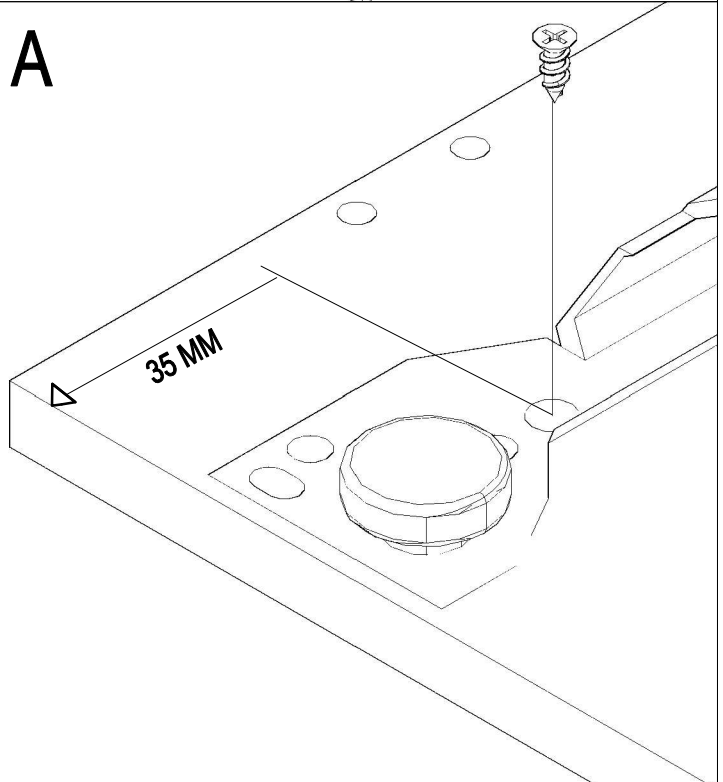


1.

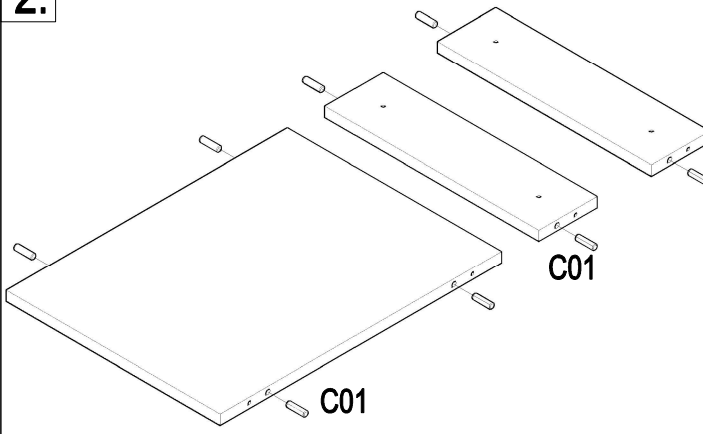


6 x G01
12 x S01

A



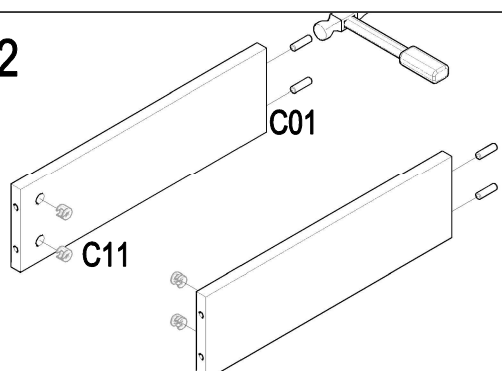
2.



8xC01

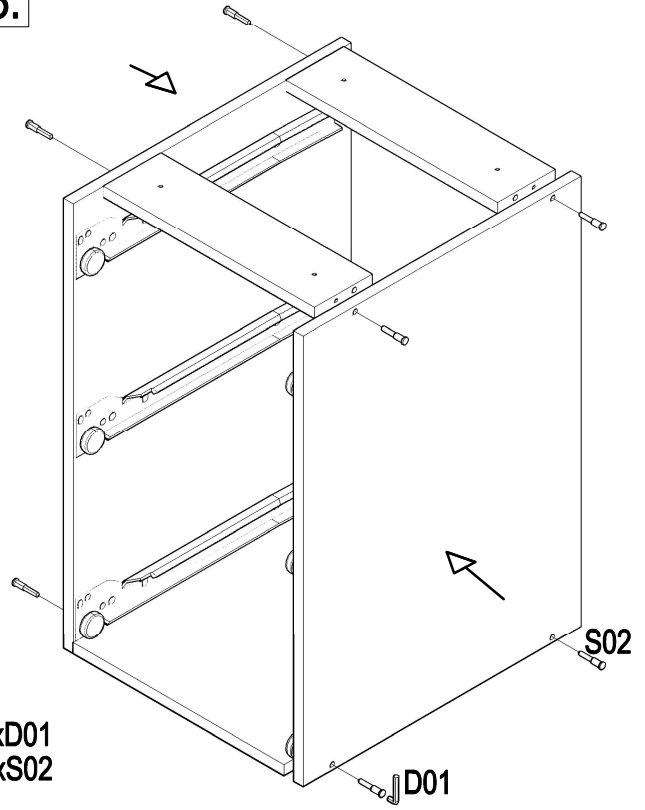
5.

X2



4 x C01
4 x C11

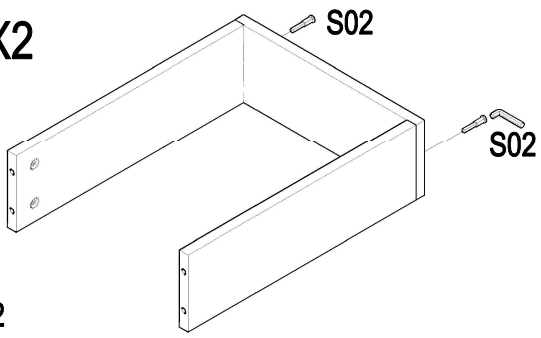
3.



1xD01
8xS02

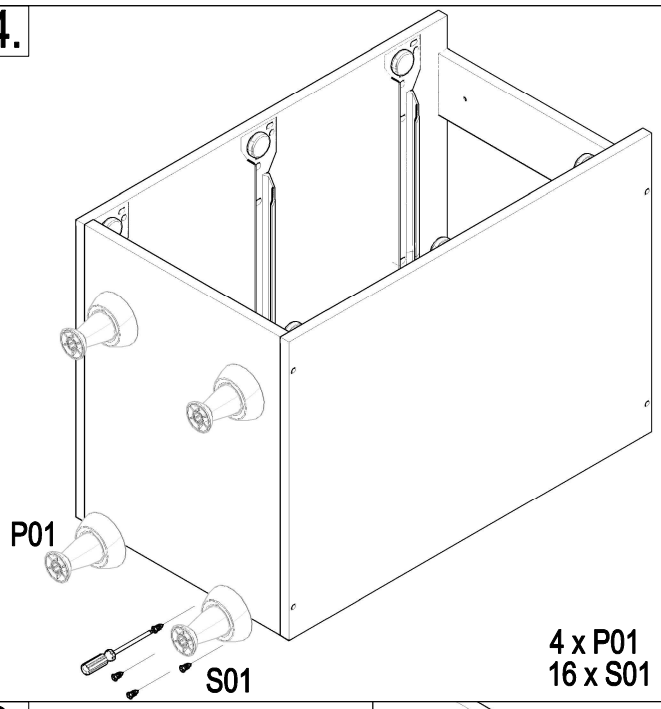
6.

X2



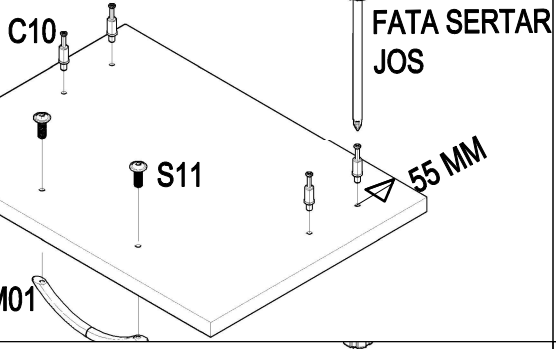
2 x S02

4.



4 x P01
16 x S01

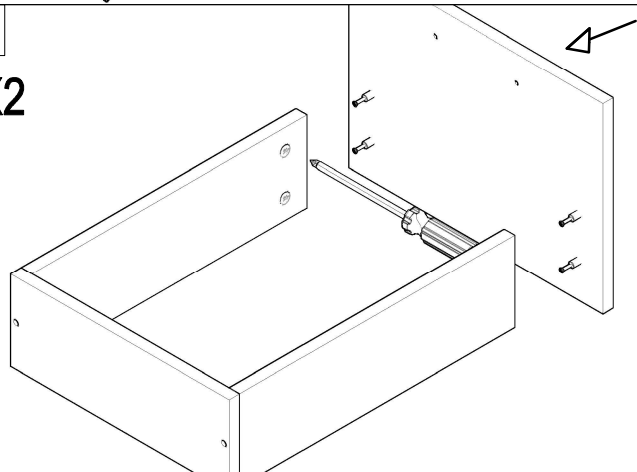
7.



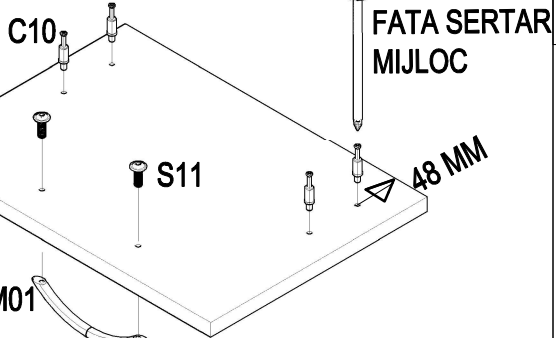
4 x C10
2 x S11
1 x M01

8.

X2



8.



4 x C10
2 x S11
1 x M01

